

## 55075 Geartooth Hall Effect Sensor Features and Benefits



### Features

- Rotary position geartooth sensor
- Stainless steel M12 threaded barrel
- Electronic protection against severe and automotive environments
- Self adjusting magnetic range
- 3 wire (voltage output)
- EMC protection (consult Hamlin)
- Short circuit/reverse voltage protection
- Zero speed detection

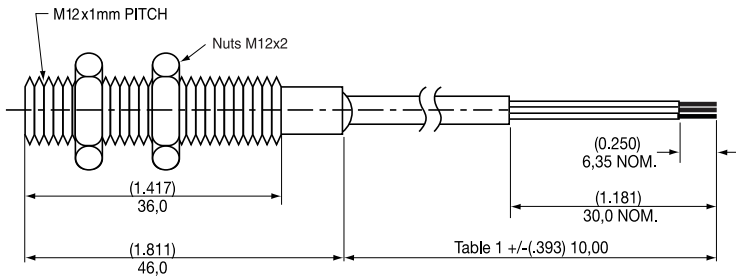
### Benefits

- Long life; up to 20 billion operations
- High speed operation
- No chopper delay
- Unaffected by harsh environments
- Rotary orientation not critical
- On-chip 10 bit A/D converter
- Customer selection of cable length and connector type

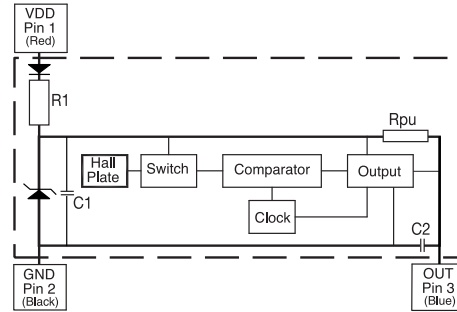
### Applications

- Geartooth sensor
- Camshaft sensor
- Linear encoder
- Rotary encoder

### DIMENSIONS (in) mm



### BLOCK DIAGRAM

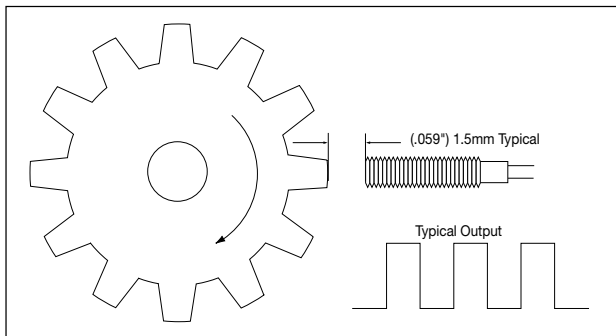


### SPECIFICATIONS

Hall Type			Digital Switch 3 Wire (Voltage Output)
Supply Voltage (Note 1)	Maximum	Vdc	-25 to +25.2
	Operation	Vdc	4.75 to 25.2
	Overtolerance Protection	Vdc-max	27
Output High Voltage		Vdc-min	VDD - 2 (sinking outputs with internal pull-up resistor)
Output Low Voltage		Vdc-max	0.6 @ 20mA
Output Current (continuously on)		mA-max	20
Current Consumption		mA-min	1
		mA-max	10.5
Switching Speed		kHz-max	15
Temperature	Operating	°C	-40 to +85
	Storage	°C	-65 to +85

Note 1 - As long as Tj (Junction Temperature) is not exceeded

### APPLICATION EXAMPLE - Geartooth Sensor

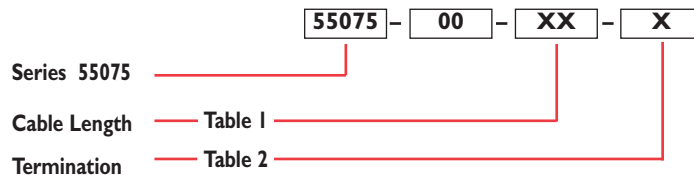


### CUSTOMER OPTIONS - Cable Length and Termination

SELECT OPTION	CABLE LENGTH (in) mm
01	(3.94) 100
02	(11.81) 300
03	(19.69) 500
04	(29.53) 750
05	(39.37) 1000

SELECT OPTION	DESCRIPTION	
A	Tinned leads	
B	Crimped terminals	
C	6.35mm fastons	
D	AMP MTE 2.54mm pitch	
E	JST XHP 2.5mm pitch	

### ORDERING INFORMATION



Hamlin USA Tel: +1 920 648 3000 • Fax: +1 920 648 3001 • Email: sales.us@hamlin.com  
 Hamlin UK Tel: +44 (0)1379 649700 • Fax: +44 (0)1379 649702 • Email: sales.uk@hamlin.com  
 Hamlin Germany Tel: +49 (0) 6142 923920 • Fax: +49 (0) 6142 923921 • Email: sales.de@hamlin.com  
 Hametrol France Tel: +33(0) 1 6047 3000 • Fax: +33(0) 1 6015 9136 • Email: sales.fr@hamlin.com

Issue No: AE Date: 16.10.08 DCR B5970

INFORMATION PROVIDED ON THIS DATA SHEET IS PROVIDED FOR INFORMATION PURPOSES ONLY AND SHOULD NOT BE RELIED UPON AS BEING ACCURATE FOR ANY PARTICULAR PURPOSE. Product performance may be affected by the application to which the product is put. Upon request, HAMLIN will assist purchasers by providing information specific to any particular application. HAMLIN disclaims any and all liability whatsoever for any purchaser's reliance upon the information contained on this data sheet without further consultation with authorised representatives of HAMLIN.